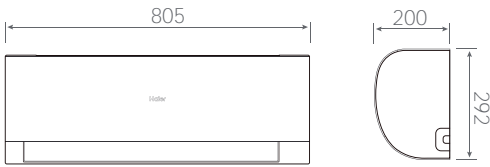




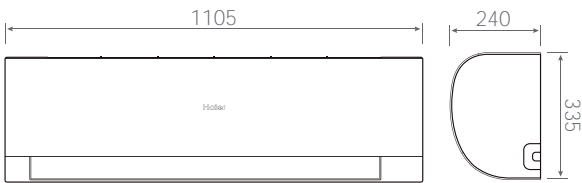
AS25 - AS35



AS50

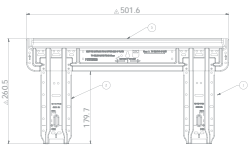


AS71

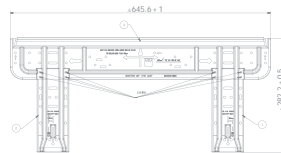


MOUNTING DIMENSIONS

AS25 - AS35



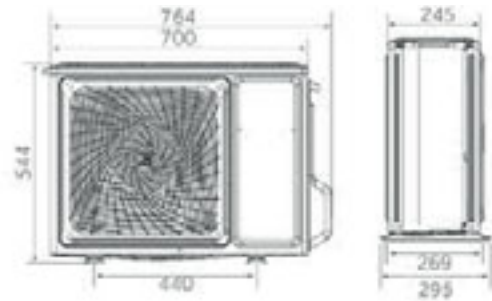
AS50



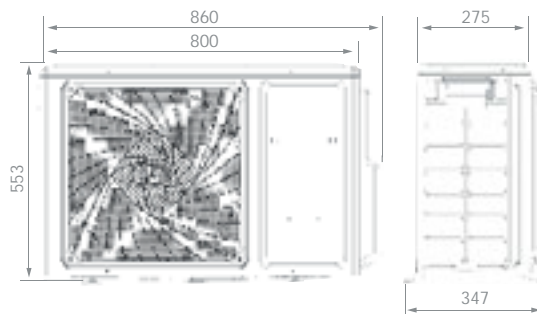
AS71



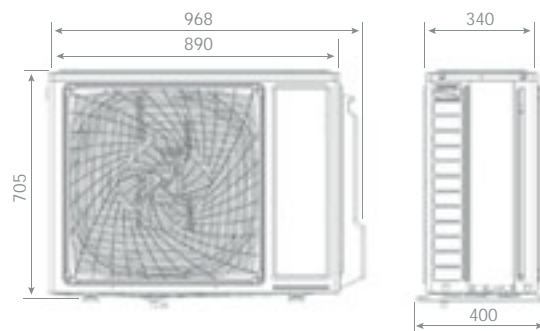
1U25 - 1U35



1U50



1U71



2,5 kW - 3,5 kW

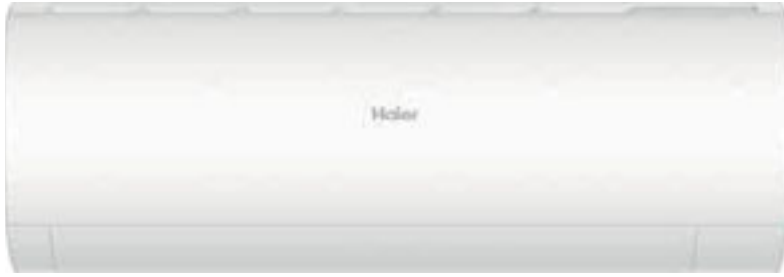
5,0 kW

7,1 kW

PEARL PREMIUM NEW

Haier

MONOSPLIT



A+++ / A++

2,5 kW

3,5 kW

5,0 kW

7,1 kW



Standard YR-HE2



Self Clean



56°C Steri-Clean



UVC Pro



Integrated Wi-Fi Control



Easy Installation



3-Level-Eco



Wi-Fi Easy Pair



I Feel

New features vs PEARL

- Increased energy efficiency to A+++
- Upgraded remote controller to HE2
- I Feel functionality for added comfort
- Wi-Fi quick pair
- 3-Level Eco
- UVC PRO



| INDOOR UNIT | Model | | AS25PBPHRA-PRE | AS35PBPHRA-PRE | AS50DPHRA-PRE | AS71PEPHRA-PRE |
|---|---------------|-----------|------------------|------------------|----------------------|----------------------|
| OUTDOOR UNIT | Model | | 1U25YEPFRA-PRE | 1U35MEPFRA-PRE | 1U50KEPFRA-PRE | 1U71WEPFRA-PRE |
| Performance data | | | | | | |
| Output power - COOLING | nom (min-max) | kW | 2,7 (0,8-3,6) | 3,6 (0,8-4,0) | 5,3 (2,0-6,3) | 7,1 (2,1-8,0) |
| Output power - HEATING | nom (min-max) | kW | 3,1 (0,8-4,3) | 3,9(0,8-4,5) | 5,8 (1,35-6,8) | 7,4 (1,5-8,5) |
| Absorbed power - COOLING | nom (min-max) | kW | 0,711 (0,4-1,06) | 1,11 (0,4-1,31) | 1,51 (0,21-2,2) | 1,97 (0,32-2,9) |
| Absorbed power - HEATING | nom (min-max) | kW | 0,835 (0,4-1,39) | 1,051 (0,4-1,53) | 1,45 (0,5-2,7) | 1,95 (0,6-3,2) |
| Energy class | EER | W/W | 3,8 | 3,23 | 3,50 | 3,60 |
| | COP | W/W | 3,71 | 3,71 | 4,00 | 3,80 |
| COOLING Pdesign | 35 °C | kW | 2,7 | 3,3 | 5,30 | 7,10 |
| HEATING Pdesign | (-10 °C) | kW | 2,4 | 2,8 | 4,60 | 5,10 |
| Energy class | SEER | | 8,5 (A+++) | 8,5 (A+++) | 8,5 (A+++) | 8,5 (A+++) |
| | SCOP | | 4,6 (A+++) | 4,6 (A++) | 4,6 (A++) | 4,6 (A++) |
| Annual Energy Consumption - COOLING | | kWh/a | 111 | 136 | 218 | 292 |
| Annual Energy Consumption - HEATING | | kWh/a | 730 | 852 | 1400 | 1704 |
| Indoor Unit | | | | | | |
| Power supply | | Ph/V/Hz | 1/220-240/50 | 1/220-240/50 | 1/220-240/50 | 1/220-240/50 |
| Treated air volume | H | m3/h | 550 | 640 | 830 | 910 |
| Dehumidification | | L/h | 1,2 | 1,4 | 2,3 | 3,0 |
| High sound power - COOLING | | dB | 56 | 60 | 60 | 65 |
| High sound power - HEATING | | dB | 56 | 60 | 60 | 65 |
| Sound pressure - COOLING | | dB(A) | 37/32/28/18 | 38/33/29/18 | 44/40/36/31 | 48/42/35/27 |
| Sound pressure - HEATING | | dB(A) | 37/32/28/18 | 38/33/29/18 | 44/40/36/31 | 48/42/35/27 |
| Net dimensions | WxDxH | mm | 805x200x292 | 805x200x292 | 975x220x318 | 1105x240x335 |
| Packaging dimensions | WxDxH | mm | 876x272x365 | 876x272x365 | 1050x397x301 | 1185x428x331 |
| Net/gross weight | | kg | 8,1/10,3 | 8,6/10,8 | 11,6/14,4 | 15,4/18,9 |
| Outdoor Unit | | | | | | |
| Power supply | | Ph/V/Hz | 1/220-240/50 | 1/220-240/50 | 1/220-240/50 | 1/220-240/50 |
| Power cable | | N x mm2 | 3x1,0 | 3x1,0 | 3 x 2,5 | 3 x 2,5 |
| Interconnection cable | | N x mm2 | 4x1,0 | 4x1,0 | 4 x 1,0 | 4 x 1,0 |
| Sound power | H | dB | 62 | 65 | 65 | 70 |
| Sound pressure | H | dB(A) | 49 | 51 | 55 | 57 |
| Running current cooling/heating | Max | A | 4,81/6,31 | 4,82/6,95 | 10,0/12,3 | 13,2/14,5 |
| Starting current cooling/heating | Max | A | 1,5/1,5 | 1,5/1,5 | 2,0/2,0 | 2,0/2,0 |
| Net dimensions | WxDxH | mm | 700x245x544 | 800x280x553 | 820x306x642 | 890x340x705 |
| Packaging dimensions | WxDxH | mm | 819x320x592 | 902x375x614 | 940x390x697 | 1046x460x780 |
| Net/gross weight | | kg | 24,6/27 | 28,5/31,4 | 37,8/40,5 | 43,0/47,0 |
| Compressor type | | | Rotary Inverter | Rotary Inverter | Twin rotary inverter | Twin rotary inverter |
| Installation data | | | | | | |
| Refrigerant | | | R32 | R32 | R32 | R32 |
| Liquid pipe | Ø | mm (inch) | 6,35 (1/4) | 6,35 (1/4) | 6,35 (1/4) | 6,35 (1/4) |
| Gas pipe | Ø | mm (inch) | 9,52 (3/8) | 9,52 (3/8) | 12,7 (1/2) | 15,88 (5/8) |
| Standard pipe length without refrigerant charge | | m | 5 | 5 | 7 | 7 |
| Maximum pipe length | | m | 20 | 20 | 25 | 25 |
| Maximum IU - OU elevation | | m | 10 | 10 | 15 | 15 |
| Refrigerant charge in the factory | | kg | 0,58 | 0,65 | 1,1 | 1,35 |
| Refrigerant charge in the factory | | TCO2eq | 0,39 | 0,44 | 0,74 | 0,91 |
| Additional ref. charge over std length | | g/m | 20 | 20 | 20 | 20 |
| Operating limits - COOLING (in/out) | min-max | °C | 21-35/-20-43 | | | |
| Operating limits - HEATING (in/out) | min-max | °C | 10-27/-20-24 | | | |

The data in this catalogue is purely indicative as the data may vary. Please be advised to check the accuracy of the data with the supplier before purchasing products.